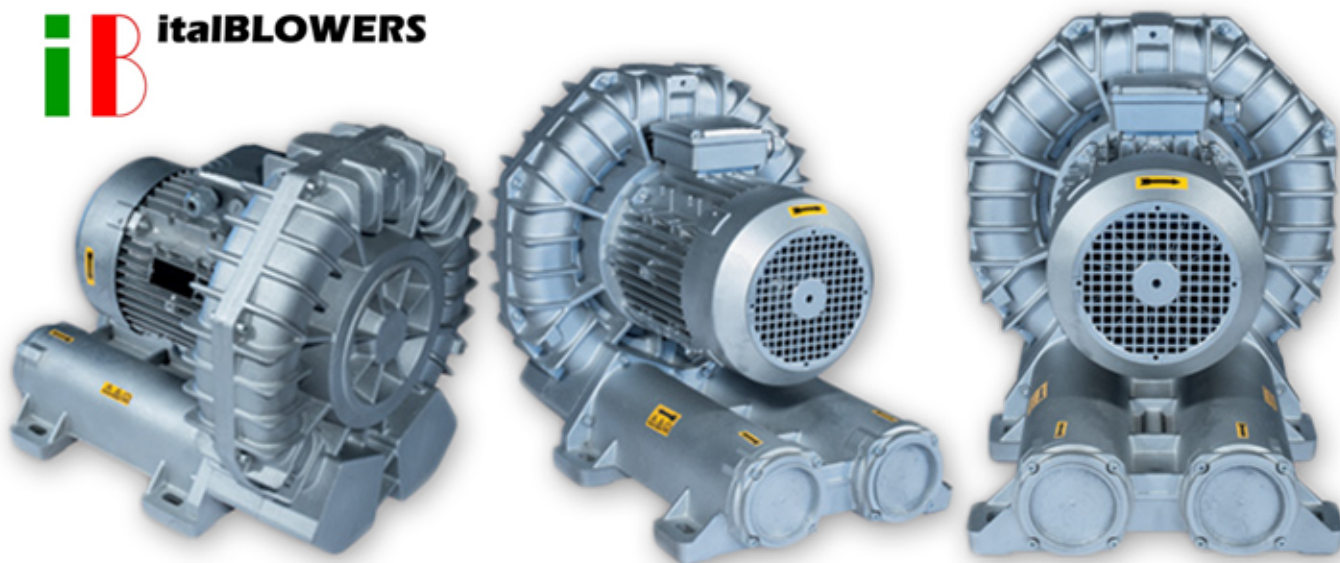


Side Channel Blowers

A comprehensive range of Single and Double stage Lateral Channel Blowers



Air Control Industries Ltd is the official UK & Ireland distributor for the italBlowers range of side channel blowers and exhausters.

Available as single and double stage side channel blowers and compressors, in both 50Hz or 60Hz versions

Side Channel Compressors:

- 50/60Hz blower delivers pressure up to 650 mbar and flow rates up to 2000 m³/hr.

Side Channel Exhausters:

- 50/60Hz blower achieves pressure of -450 mbar and flow rates of 2000 m³/hr.

Accessories:

A variety of spares and accessories are available to compliment our range of side channel blowers, including Filters, Silencers, Pressure Gauges, Hoses, Manifolds, Safety Valves, BSP Fittings and Sound Enclosures.



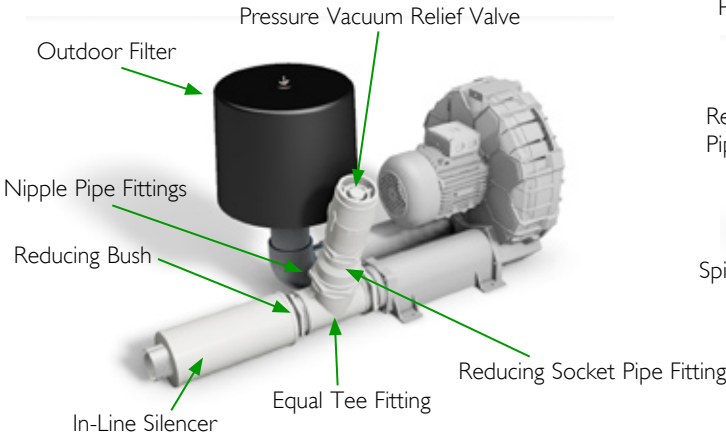
Side Channel Blowers

A comprehensive range of Single and Double stage Lateral Channel Blowers

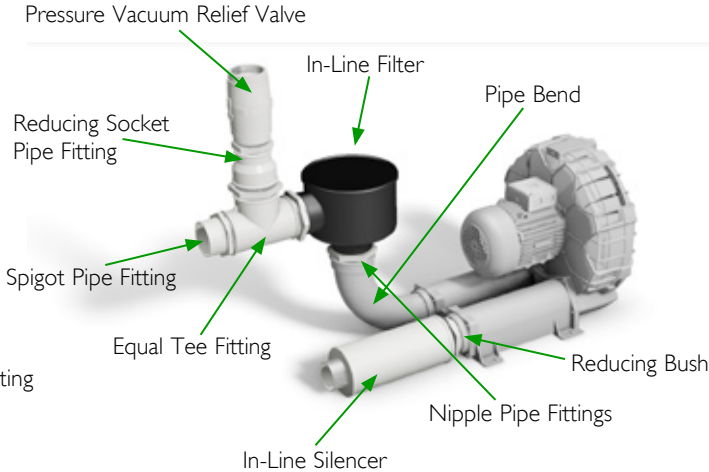
Accessories

A variety of spares and accessories are available to compliment our range of side channel blowers.

Side Channel Blowers - Pressure Configuration



Side Channel Blowers - Vacuum Configuration



ATEX Versions

A comprehensive range of regenerative blowers for compressing applications is available.

In addition to the standard side channel compressors, ATEX certified versions have been designed.

Please refer to the following web addresses for further information:

www.aircontrolindustries.com/products/industrial-fans/side-channel-blowers/side-channel-compressors/



Air Control Industries Ltd
 Weycroft Avenue, Millwey Rise Industrial Estate,
 Axminster, Devon, EX13 5HU, United Kingdom
 Tel: +44(0)1297 529242 Fax: +44(0)1297 529241
 Email: sales@aircontrolindustries.com

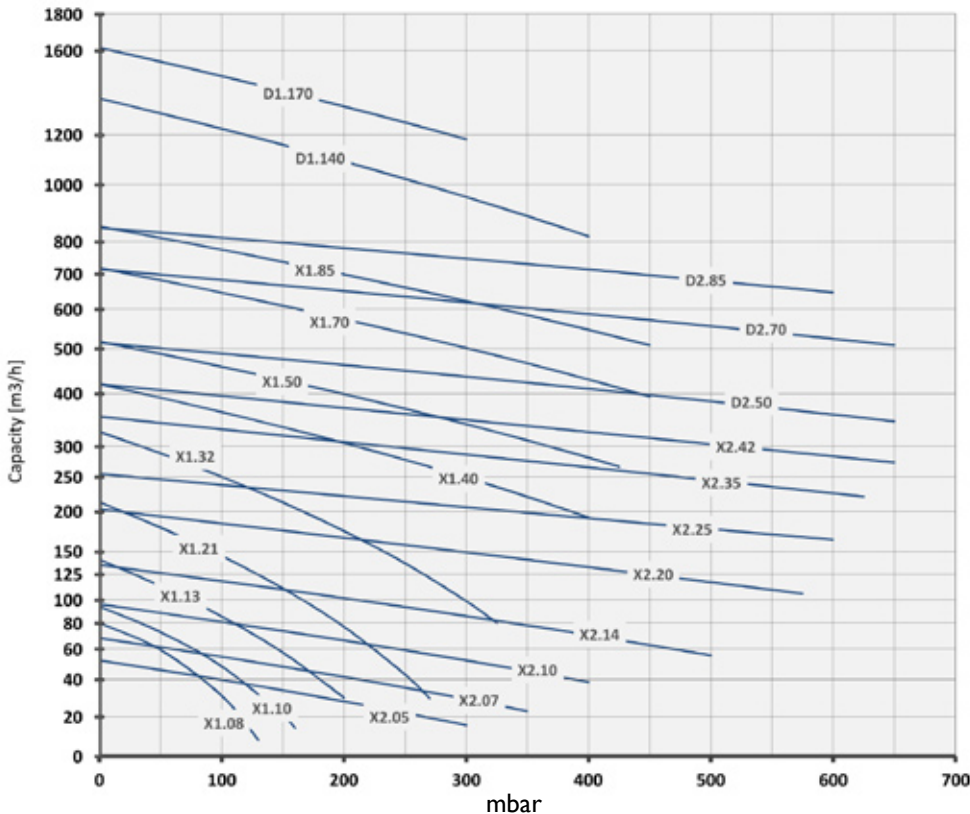
www.aircontrolindustries.com

Side Channel Blowers

A comprehensive range of Single and Double stage Lateral Channel Blowers

Side Channel Compressors 50Hz

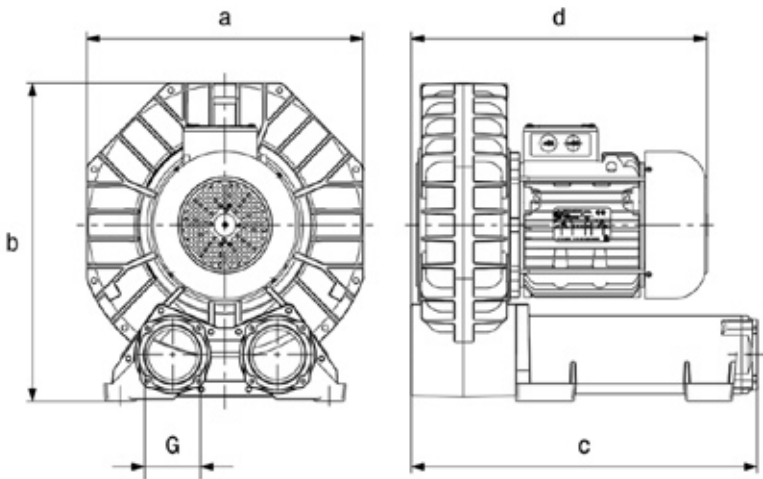
Performance Curves



The illustrated curves to the left are for selection purposes only. For full performance details, please contact us to speak to one of our sales engineers.



Overall Dimensions



Blower Model	a	b	c	d	G	
SINGLE STAGE	X1.08	246	247	229	236	G 1 1/4"
	X1.10	268	272	234	260	G 1 1/2"
	X1.13	285	302	240	294	G 1 1/2"
	X1.21	334	337	298	346	G2"
	X1.32	382	384	333	432	G2"
	X1.40	424	475	506	453	G3"
	X1.50	454	490	506	453	G3"
	X1.70	495	534	604	558	G4"
	X1.85	523	565	604	558	G4"
	D1.14	495	605	935	852	G5"
	D1.17	523	636	935	852	G5"

Blower Model	a	b	c	d	G	
DOUBLE STAGE	X2.05	270	297	325	280	G 1 1/4"
	X2.07	295	325	334	305	G 1 1/4"
	X2.10	332	366	347	318	G 1 1/2"
	X2.14	370	408	360	342	G 1 1/2"
	X2.20	424	475	506	453	G3"
	X2.25	454	490	506	453	G3"
	X2.35	495	534	604	558	G4"
	X2.42	523	565	604	558	G4"
	D2.50	454	490	637	679	G3"
	D2.70	495	534	783	852	G4"
D2.85	523	565	783	852	G4"	

Side Channel Blowers

A comprehensive range of Single and Double stage Lateral Channel Blowers

Side Channel Compressors 60Hz Performance Data



Blower Model	Δp [hPa] (mbar)	0		50		100		150		200		250		300		350		400		500		600		Maximum Pressure [hPa]	Capacity [m3/h]	Installed Power [kW]	
		Capacity [m3/h]	Installed Power [kW]	Capacity [m3/h]	Installed Power [kW]	Capacity [m3/h]	Installed Power [kW]	Capacity [m3/h]	Installed Power [kW]	Capacity [m3/h]	Installed Power [kW]	Capacity [m3/h]	Installed Power [kW]	Capacity [m3/h]	Installed Power [kW]	Capacity [m3/h]	Installed Power [kW]	Capacity [m3/h]	Installed Power [kW]	Capacity [m3/h]	Installed Power [kW]						
SINGLE STAGE	X1.08	96	0,5	80	0,5	60	0,5	-	-	-	-	-	-	-	-	-	-	-	-	-	-	-	-	120	50	0,5	
	X1.09	110	0,62	96	0,62	77	0,62	56	0,62	-	-	-	-	-	-	-	-	-	-	-	-	-	-	150	56	0,62	
	X1.13	175	0,95	147	0,95	123	0,95	100	1,5	-	-	-	-	-	-	-	-	-	-	-	-	-	-	180	85	1,5	
	X1.21	250	1,75	229	1,75	201	1,75	172	1,75	144	2,55	116	2,55	-	-	-	-	-	-	-	-	-	-	-	250	116	2,55
	X1.32	390	2,55	362	2,55	331	2,55	299	2,55	268	3,45	237	4,6	205	4,6	-	-	-	-	-	-	-	-	-	300	205	4,6
	X1.40	507	5,5	483	5,5	460	5,5	436	5,5	412	5,5	389	7,5	365	7,5	342	9,2	318	9,2	-	-	-	-	-	425	306	9,2
	X1.50	624	7,5	600	7,5	575	7,5	551	7,5	526	7,5	502	9,2	477	11,0	453	11,0	427	11,0	-	-	-	-	-	375	441	11,0
	X1.70	865	9,2	836	9,2	806	9,2	776	9,2	746	9,2	717	11,0	687	15,0	657	15,0	627	15,0	-	-	-	-	-	450	598	18,5
	X1.85	1026	11,0	994	11,0	963	11,0	931	11,0	900	15,0	868	15,0	837	18,5	805	18,5	775	18,5	-	-	-	-	-	375	790	18,5
	D1.140	1645	15,0	1588	15,0	1532	15,0	1475	15,0	1419	18,5	1362	18,5	1306	22,0	-	-	-	-	-	-	-	-	-	300	1306	22,0
D1.170	1949	18,5	1889	18,5	1829	18,5	1770	22,0	-	-	-	-	-	-	-	-	-	-	-	-	-	-	-	175	1740	22,0	
DOUBLE STAGE	X2.05	63	0,55	58	0,55	52	0,55	47	0,55	42	0,55	37	0,55	32	0,55	-	-	-	-	-	-	-	-	325	30	0,55	
	X2.07	82	1,1	76	1,1	71	1,1	65	1,1	60	1,1	54	1,1	49	1,1	44	1,1	-	-	-	-	-	-	375	41	1,1	
	X2.10	116	1,5	110	1,5	103	1,5	97	1,5	91	1,5	85	1,5	79	1,5	73	1,5	67	2,2	-	-	-	-	450	61	2,2	
	X2.14	163	2,2	156	2,2	149	2,2	142	2,2	135	2,2	128	2,2	121	2,2	115	2,2	108	3,0	95	3,0	-	-	500	95	3,0	
	X2.20	245	4,0	237	4,0	229	4,0	222	4,0	214	4,0	207	4,0	199	5,5	192	5,5	185	5,5	171	7,5	158	7,5	600	158	7,5	
	X2.25	308	7,5	301	7,5	293	7,5	286	7,5	280	7,5	273	7,5	266	7,5	260	7,5	253	9,2	241	9,2	228	11,0	600	228	11,0	
	X2.35	427	7,5	417	7,5	408	7,5	398	7,5	389	7,5	379	7,5	370	7,5	361	7,5	352	9,2	334	11,0	317	15,0	600	317	15,0	
	X2.42	507	9,2	497	9,2	486	9,2	476	9,2	466	9,2	456	9,2	446	9,2	437	11,0	427	11,0	408	15,0	390	15,0	600	390	15,0	
	D2.50	620	11,0	610	11,0	599	11,0	588	11,0	577	11,0	567	11,0	556	11,0	545	15,0	534	15,0	513	15,0	491	18,5	600	491	18,5	
	D2.70	861	15,0	847	15,0	834	15,0	821	15,0	808	15,0	795	15,0	782	15,0	769	15,0	756	18,5	730	18,5	-	-	500	730	18,5	
D2.85	1021	18,5	1007	18,5	993	18,5	980	18,5	966	18,5	952	18,5	938	22,0	924	22,0	-	-	-	-	-	-	375	917	22,0		

Notes:
(1) Performance data and curves refer to operative conditions to air at 15°C temperature and 1013 hPa (abs) pressure measured at inlet port. Tolerance on capacity value: +/-10%.
1 hPa = 1 mbar

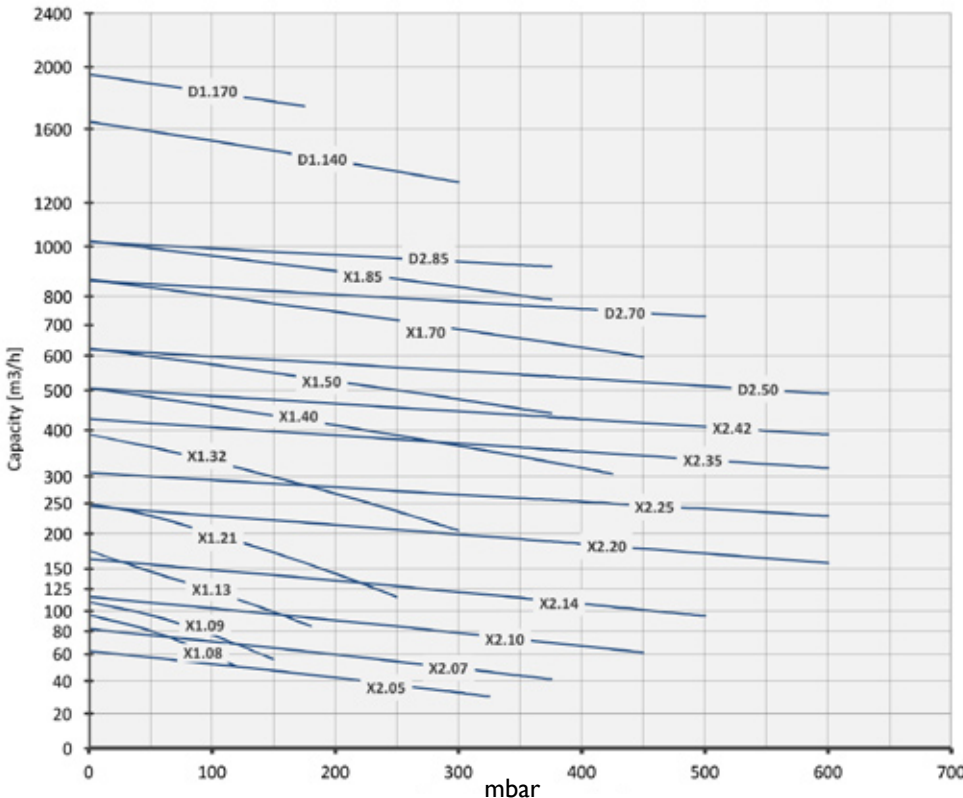
Data subject to change without prior notice.

Technical data_Compressors_60-en - rev.02

Side Channel Blowers

A comprehensive range of Single and Double stage Lateral Channel Blowers

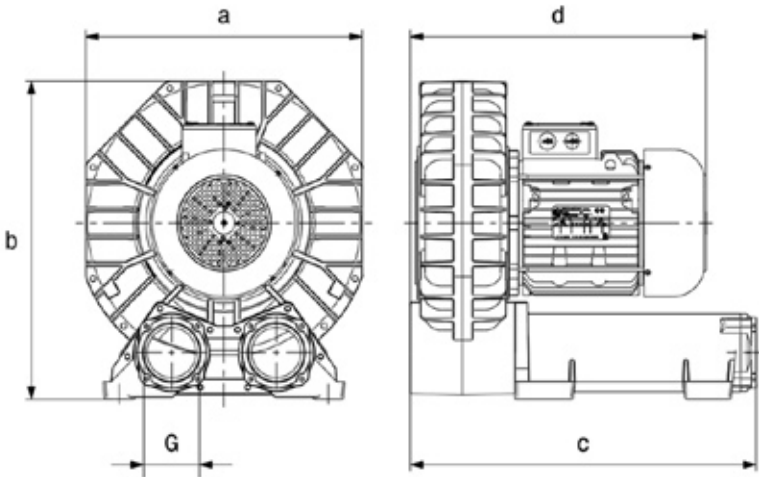
Side Channel Compressors 60Hz Performance Curves



The illustrated curves to the left are for selection purposes only. For full performance details, please contact us to speak to one of our sales engineers.



Overall Dimensions



Blower Model	a	b	c	d	G	Blower Model	a	b	c	d	G		
SINGLE STAGE	X1.08	246	247	229	256	G 1 1/2"	DOUBLE STAGE	X2.05	265	303	334	305	G 1 1/2"
	X1.09	268	272	234	260	G 1 1/2"		X2.07	291	323	344	323	G 1 1/2"
	X1.13	283	302	240	294	G 1 1/2"		X2.10	334	366	362	329	G 1 1/2"
	X1.21	334	337	298	346	G2"		X2.14	372	404	372	390	G 1 1/2"
	X1.32	382	384	333	432	G2"		X2.20	424	475	529	453	G3"
	X1.40	424	475	529	453	G3"		X2.25	454	490	529	453	G3"
	X1.50	454	490	529	485	G3"		X2.35	512	564	597	561	G4"
	X1.70	512	564	597	561	G4"		X2.42	523	565	604	598	G4"
	X1.85	523	565	604	558	G4"		D2.50	483	510	520	898	G3"
	D1.140	512	634	917	735	G5"		D2.70	560	636	950	907	G4"
	D1.170	523	634	928	832	G5"		D2.85	564	636	991	1070	G4"

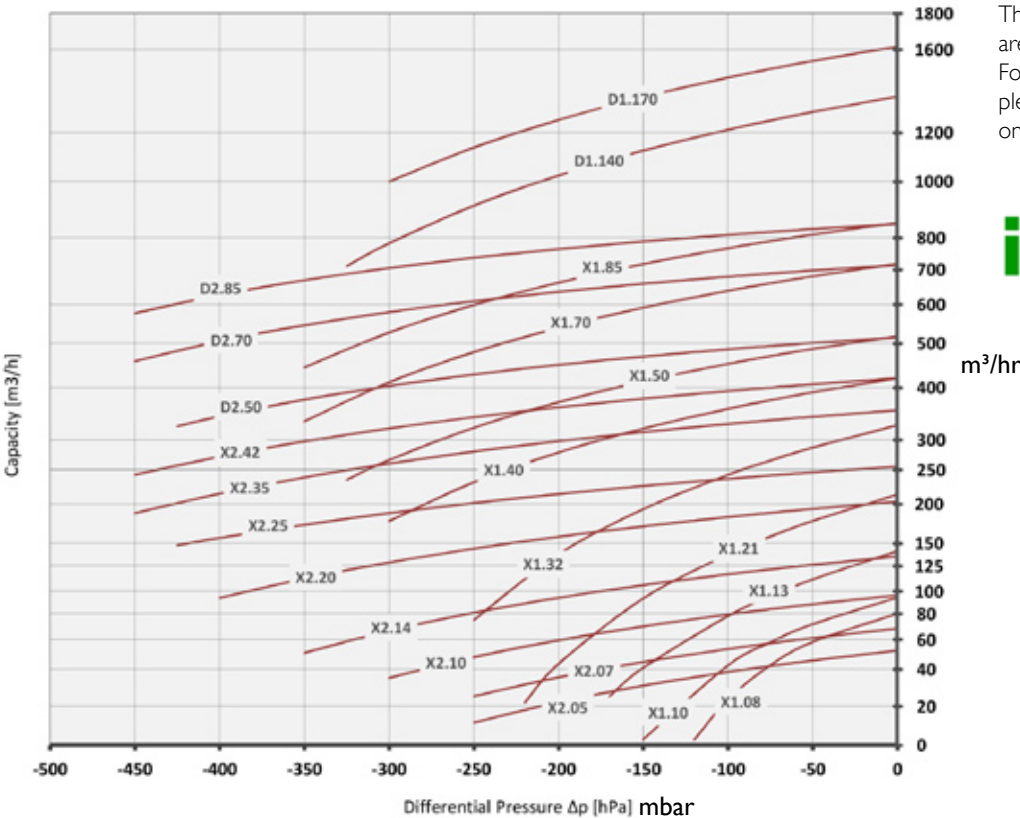
Side Channel Blowers

A comprehensive range of Single and Double stage Lateral Channel Blowers

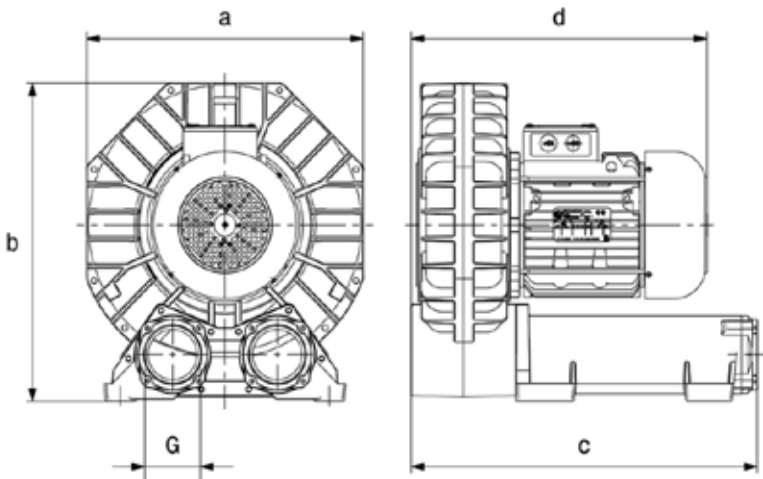
Side Channel Exhausters 50Hz

Performance Curves

The illustrated curves to the left are for selection purposes only. For full performance details, please contact us to speak to one of our sales engineers.



Overall Dimensions



Blower Model	a	b	c	d	G	
SINGLE STAGE	X1.08	246	247	229	256	G 1 1/4"
	X1.10	268	272	234	260	G 1 1/4"
	X1.13	285	302	240	294	G 1 1/4"
	X1.21	334	337	298	346	G2"
	X1.32	382	384	333	432	G2"
	X1.40	424	475	506	453	G3"
	X1.50	454	490	506	453	G3"
	X1.70	495	534	604	558	G4"
	X1.85	523	565	604	558	G4"
	D1.140	495	605	935	852	G5"
D1.170	523	636	935	852	G5"	
DOUBLE STAGE	X2.05	270	297	325	280	G 1 1/4"
	X2.07	295	325	334	305	G 1 1/4"
	X2.10	332	366	347	318	G 1 1/4"
	X2.14	370	408	360	342	G 1 1/4"
	X2.20	424	475	506	453	G3"
	X2.25	454	490	506	453	G3"
	X2.35	495	534	604	558	G4"
	X2.42	523	565	604	558	G4"
	D2.50	454	490	637	679	G3"
	D2.70	495	534	783	852	G4"
D2.85	523	565	783	852	G4"	

Side Channel Blowers

A comprehensive range of Single and Double stage Lateral Channel Blowers Side Channel Exhausters 60Hz Performance Data



Blower Model	Δp [hPa]	0	-50	-75	-100	-150	-200	-250	-300	-350	-400	-450	Maximum Vacuum [hPa]	Capacity [m ³ /h]	Installed Power [kW]	
DOUBLE STAGE	X1.08	96	79	68	55	-	-	-	-	-	-	-	-120	42	0.5	
	X1.09	110	95	84	73	45	0.62	-	-	-	-	-	-150	45	0.62	
	X1.13	175	145	132	118	87	1.5	-	-	-	-	-	-180	67	1.5	
	X1.21	250	227	211	194	158	1.75	116	2.55	-	-	-	-	-230	89	2.55
	X1.32	390	360	343	324	283	2.55	237	3.45	185	3.45	126	4.6	-300	126	4.6
	X1.40	507	482	469	454	424	5.5	389	5.5	350	7.5	306	7.5	-300	306	7.5
	X1.50	624	598	584	570	538	7.5	502	7.5	462	9.2	416	11.0	-325	390	11.0
	X1.70	865	834	817	799	761	9.2	717	9.2	668	11.0	612	15.0	-350	547	15.0
	X1.85	1026	993	975	956	915	11.0	869	15.0	817	15.0	757	18.5	-350	689	18.5
	D1.140	1645	1586	1553	1520	1446	15.0	1363	18.5	1270	18.5	1163	22.0	-300	1163	22.0
	D1.170	1949	1886	1852	1816	1738	22.0	1651	22.0	-	-	-	-	-200	1651	22.0
SINGLE STAGE	X2.05	63	57	54	51	45	0.55	37	0.55	29	0.55	-	-250	29	0.55	
	X2.07	82	76	73	70	62	0.75	54	0.75	46	0.75	36	0.75	-300	36	0.75
	X2.10	116	109	106	102	94	1.1	85	1.1	75	1.1	64	1.1	-350	52	1.5
	X2.14	163	155	151	147	138	2.2	128	2.2	117	2.2	105	2.2	-350	91	2.2
	X2.20	245	237	232	228	218	4.0	207	4.0	195	4.0	181	5.5	-400	150	5.5
	X2.25	308	300	296	292	283	7.5	273	7.5	262	7.5	250	7.5	-425	213	9.2
	X2.35	427	417	411	406	393	7.5	379	7.5	364	7.5	347	7.5	-450	282	9.2
	X2.42	507	496	490	484	471	9.2	456	9.2	440	9.2	422	9.2	-450	353	15.0
	D2.50	620	609	603	596	582	11.0	567	11.0	549	11.0	529	11.0	-425	463	15.0
	D2.70	861	847	839	832	815	15.0	795	15.0	774	15.0	749	15.0	-450	649	18.5
D2.85	1021	1007	999	990	972	18.5	952	18.5	929	18.5	903	22.0	-375	857	22.0	

Notes:
 (1) Performance data and curves refer to operative conditions to air at 15°C temperature measured at inlet port and a pressure of 1013 hPa (abs) at outlet port.
 Tolerance on capacity value: +/-10%.
 1 hPa = 1 mbar

Data subject to change without prior notice

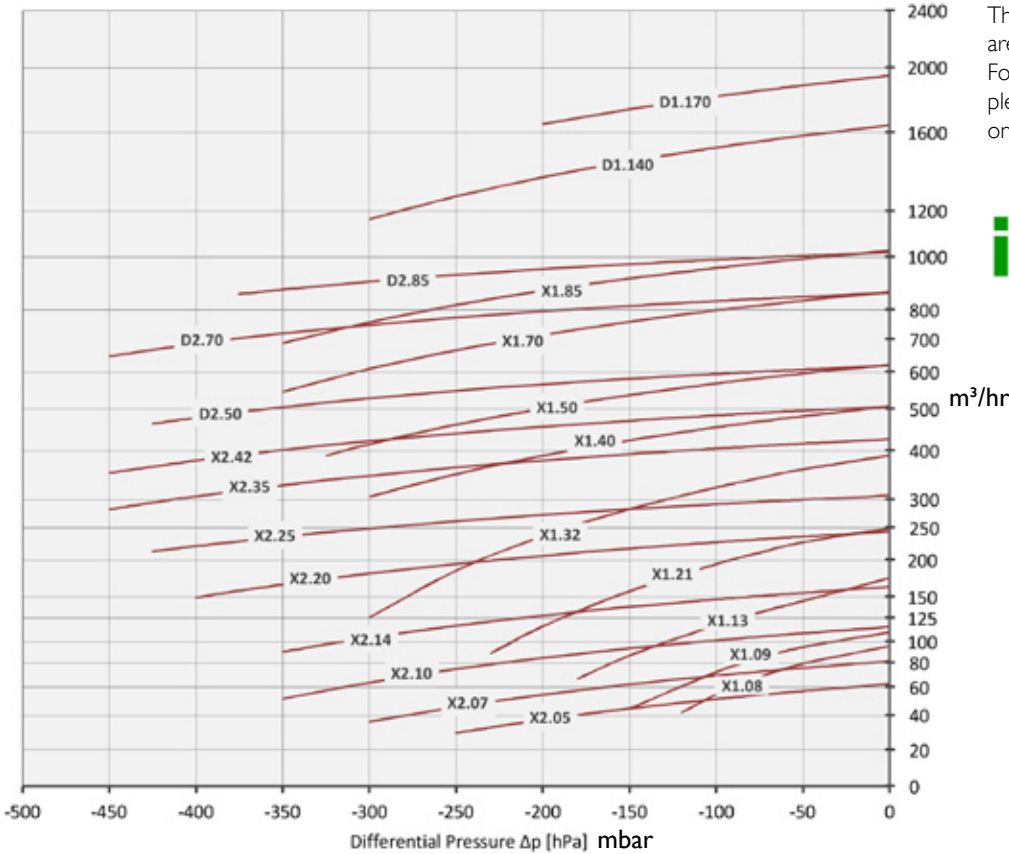
Technical data_ Exhausters_60-8n - rev02

Side Channel Blowers

A comprehensive range of Single and Double stage Lateral Channel Blowers

Side Channel Exhausters 60Hz

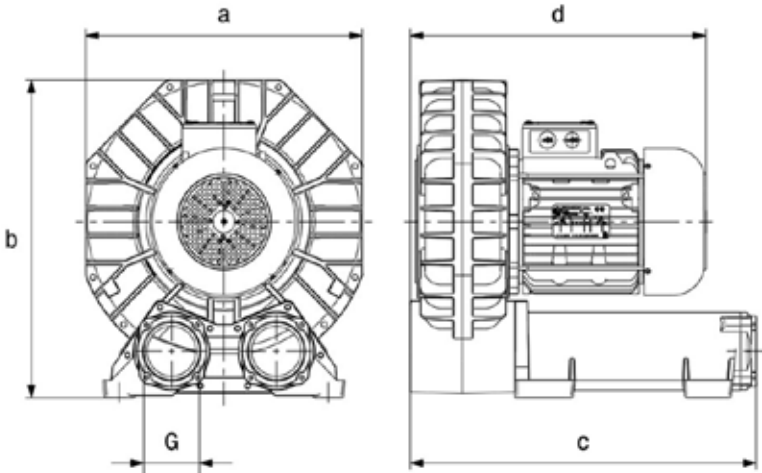
Performance Curves



The illustrated curves to the left are for selection purposes only. For full performance details, please contact us to speak to one of our sales engineers.



Overall Dimensions



Blower Model	a	b	c	d	G
X1.08	246	247	229	256	G 1 1/2"
X1.09	268	272	234	260	G 1 1/2"
X1.13	285	302	240	294	G 1 1/2"
X1.21	334	337	298	346	G2"
X1.32	382	384	333	432	G2"
X1.40	424	475	529	453	G3"
X1.50	454	490	529	453	G3"
X1.70	512	564	597	561	G4"
X1.85	523	565	604	558	G4"
D1.140	512	634	917	735	G5"
D1.170	523	634	928	832	G5"

Blower Model	a	b	c	d	G
X2.05	265	303	334	305	G 1 1/2"
X2.07	291	323	344	323	G 1 1/2"
X2.10	334	366	362	329	G 1 1/2"
X2.14	372	404	372	390	G 1 1/2"
X2.20	424	475	529	453	G3"
X2.25	454	490	529	453	G3"
X2.35	512	564	597	561	G4"
X2.42	523	565	604	558	G4"
D2.50	483	510	920	898	G3"
D2.70	560	636	950	907	G4"
D2.85	564	636	991	955	G4"